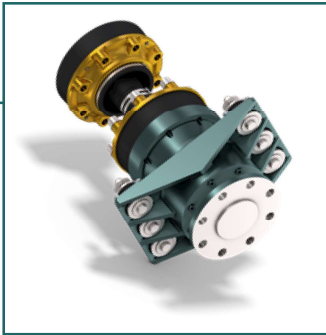
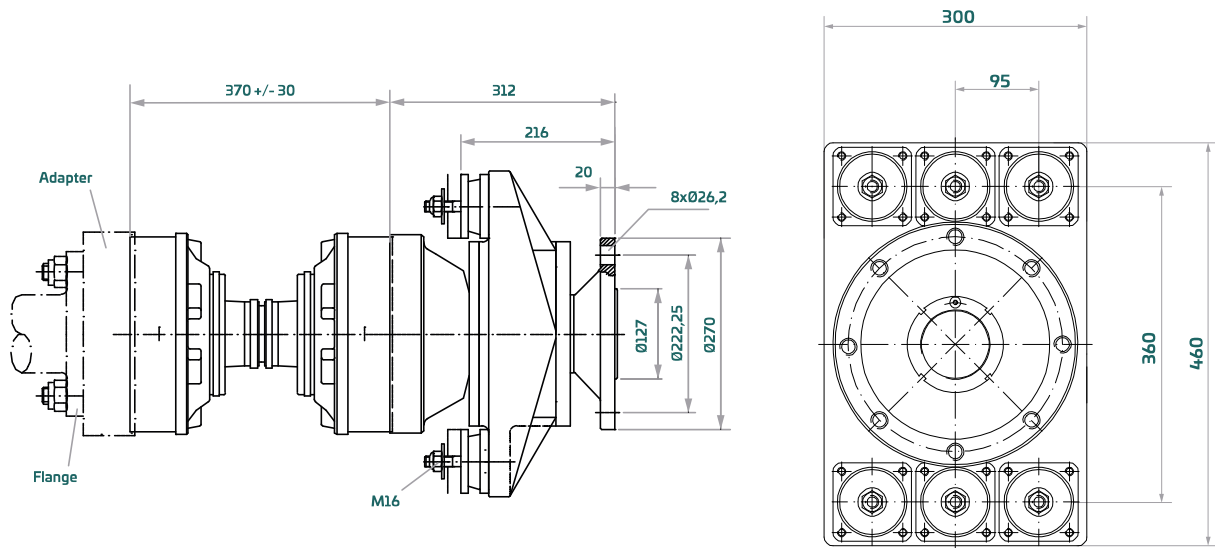


Heavy Duty Line HDL



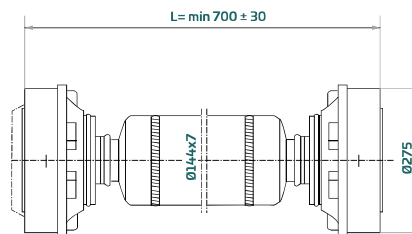
HDL 60.780 Flanged

Max. static torque	25000 Nm / 18500 lbft
Max. propeller shaft revolutions	1400 rpm
Max. propeller thrust	60 kN / 13500 lbf



CV 60

Custom-length CV 60 driveshaft is available in lengths from 370 mm (from 700 mm with tubeshaft design). Maximum length depends on shaft rpm.



Application examples

	Rated power kw (HP)	Crankshaft rpm	Gearbox ratio
Displacement boat	590 (800)	2100	3 : 1
Planing boat	1100 (1500)	2300	1.75 : 1

Note: Above rating examples are based on optimum conditions with 2° for each CV joints. In case a CV joint will run at an angle greater than 2°, the max. permitted power must be reduced (normally by 8-9% for each degree over 2°). The maximum allowable joint angle is 3° depending on shaft rpm. For higher bending angles please consult our technical department.

Propeller shaft options

HDL 700 standard version accepts following propeller shaft sizes:

50 mm	2"	2 ¼"	60 mm	2 ½"	65 mm	70 mm
-------	----	------	-------	------	-------	-------

Please contact our technical department to assist you in selecting a suitable Aquadrive system for your application.