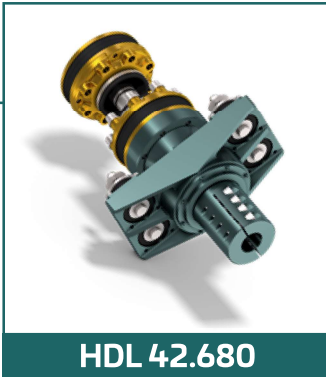
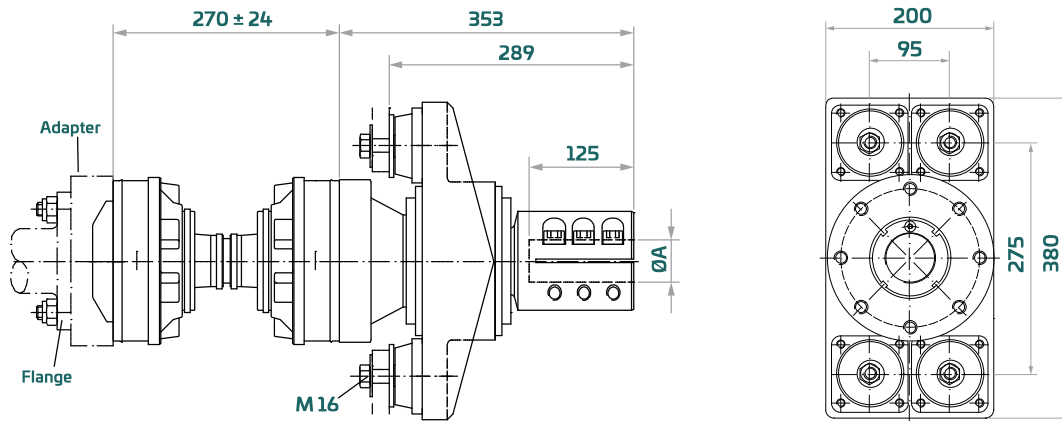


# Heavy Duty Line HDL



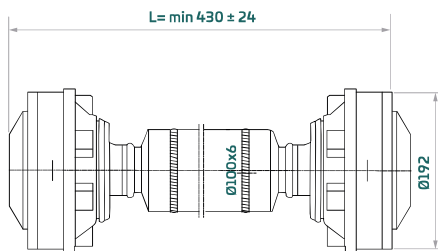
**HDL 42.680**

Max. static torque	10500 Nm / 7750 lbf
Max. propeller shaft revolutions	1700 rpm
Max. propeller thrust	40 kN / 9000 lbf



## CV 42

Custom-length CV 42 driveshaft is available in lengths from 270 mm (from 430 mm with tubeshaft design). Maximum length depends on shaft rpm.



## Application examples

	Rated power kw (HP)	Crankshaft rpm	Gearbox ratio
Displacement boat	220 (300)	2100	3 : 1
Planing boat	420 (570)	2600	2 : 1

Note: Above rating examples are based on optimum conditions with 2° for each CV joints. In case a CV joint will run at an angle greater than 2°, the max. permitted power must be reduced (normally by 8-9% for each degree over 2°). The maximum allowable joint angle is 5-8° depending on shaft rpm.

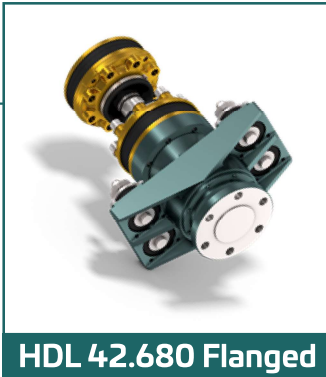
## Propeller shaft options

HDL 680 standard version accepts following propeller shaft sizes:

50 mm	2"	2 ¼"	60 mm	2 ½"	65 mm	70 mm
-------	----	------	-------	------	-------	-------

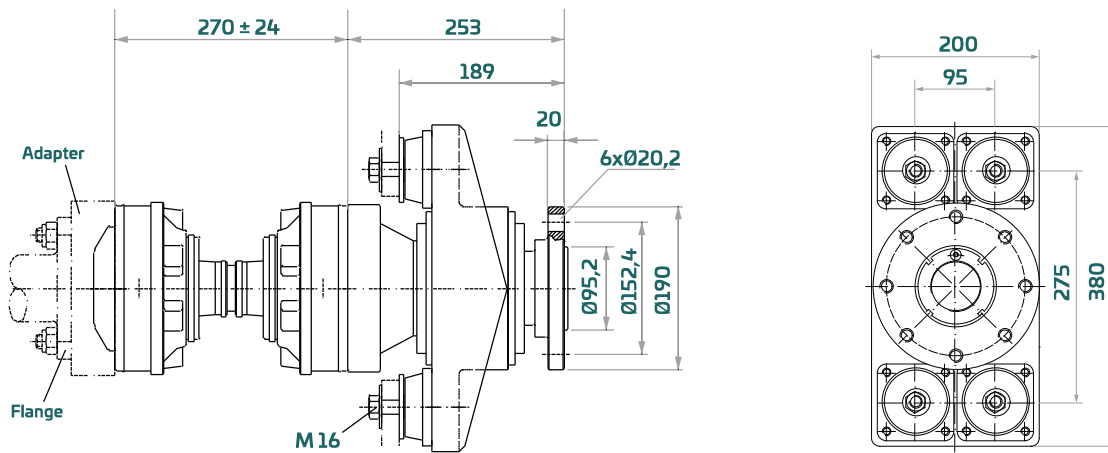
Please contact our technical department to assist you in selecting a suitable Aquadrive system for your application.

# Heavy Duty Line HDL



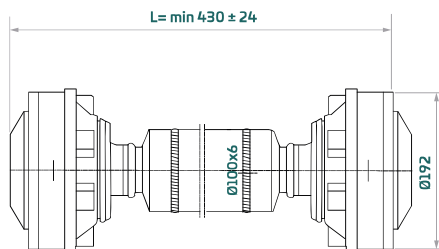
**HDL 42.680 Flanged**

Max. static torque	10500 Nm / 7750 lbft
Max. propeller shaft revolutions	1700 rpm
Max. propeller thrust	40 kN / 9000 lbf



## CV 42

Custom-length CV 42 driveshaft is available in lengths from 270 mm (from 430 mm with tubeshaft design). Maximum length depends on shaft rpm.



## Application examples

	Rated power kw (HP)	Crankshaft rpm	Gearbox ratio
Displacement boat	220 (300)	2100	3 : 1
Planing boat	420 (570)	2600	2 : 1

Note: Above rating examples are based on optimum conditions with 2° for each CV joints. In case a CV joint will run at an angle greater than 2°, the max. permitted power must be reduced (normally by 8-9% for each degree over 2°). The maximum allowable joint angle is 5-8° depending on shaft rpm.

## Propeller shaft options

HDL 680 standard version accepts following propeller shaft sizes:

50 mm	2"	2 ¼"	60 mm	2 ½"	65 mm	70 mm
-------	----	------	-------	------	-------	-------

Please contact our technical department to assist you in selecting a suitable Aquadrive system for your application.