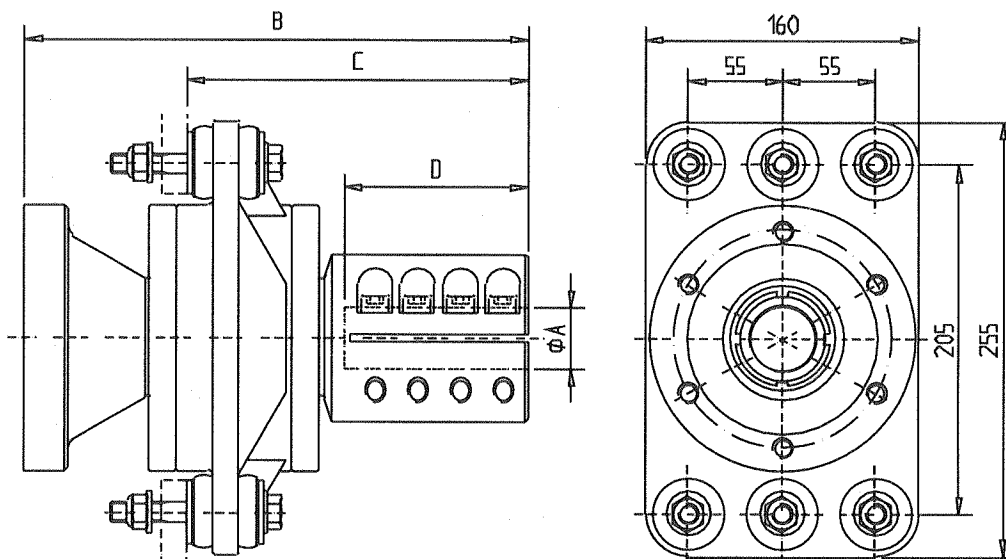


TRYCKLAGER / THRUST BEARING



| Art nr / Part no. | Ø A= | B= | C= | D= |
|-------------------|-------|-----|-----|-----|
| 6039143 | 40 mm | 276 | 181 | 90 |
| 6039144 | 1 | 295 | 200 | 107 |
| 6039145 | 45 mm | 295 | 200 | 107 |
| 6039146 | 50 mm | 295 | 200 | 107 |
| 6039147 | 2" | 295 | 200 | 107 |

| | |
|---------------------------------------|-----------|
| Max statiskt vridmoment (sträckgräns) | 4175 Nm |
| Max static torque (yield point) | 3090 lbft |
| Max propelleraxelvarvtal | 4000 rpm |
| Max propellershaft revolutions | |
| Max rekommenderad propellerkraft | 16500 N |
| Max recommended prop. thrust | 3700 lbf |

Bearing life L_{10} , Lagerlivslängd L_{10}

